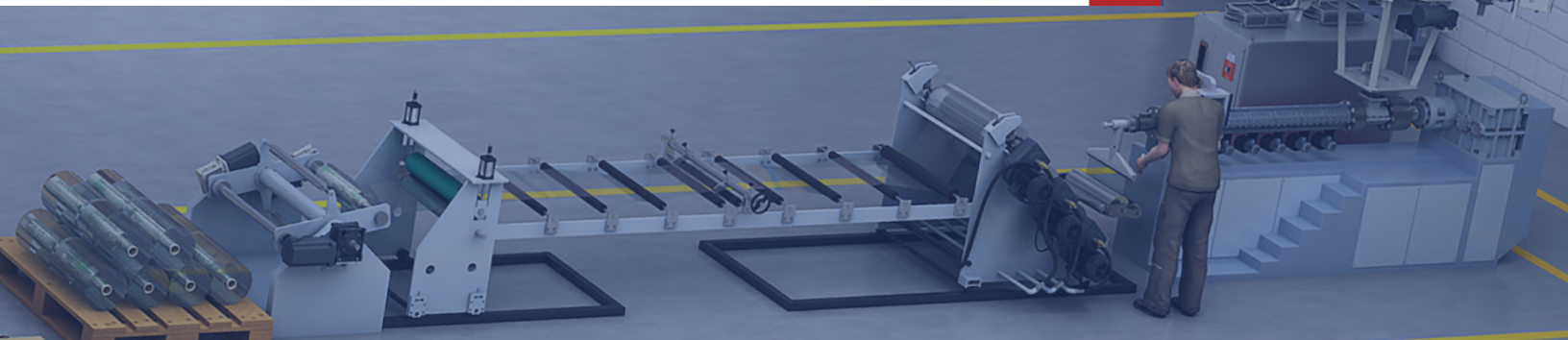


Fordham Plastics

Extrusion & Blow Molding

FORDHAMPLASTICS.COM

+1 866 467 0708



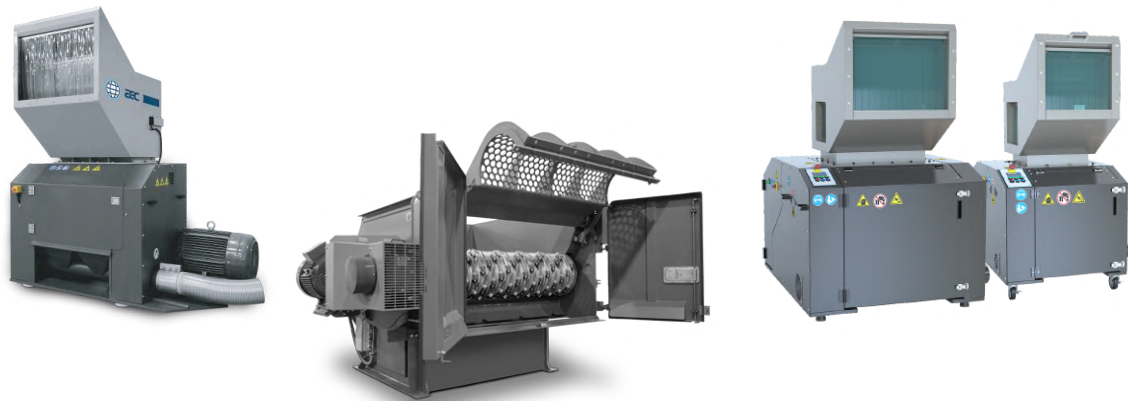
AEC Resin Handling

AEC is a recognized leader in the design and manufacture of resin conveying, drying, and blending systems. Products include bulk material storage, resin blending, simple beside-the-press loading, sophisticated central conveying and drying systems. AEC equipment is designed to work together to give you efficient and reliable operation, minimizing cost and increasing uptime.



AEC Size Reduction

AEC provides a wide range of size reduction equipment and systems utilized in injection molding, thermoforming, extrusion and recycling facilities. Products include beside-the-press, central and heavy-duty granulators, along with single or multi-stage shredders.



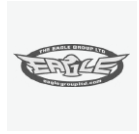
AEC Process Cooling

AEC's cooling solutions for multiple industries include plastics, food & pharmaceutical, packaging, chemical, printing, and machine tool markets. With a full offering of chilling equipment, pump tanks, blown film coolers, cooling towers, temperature control units, and full chilling systems, AEC has the solution for your industrial cooling needs.



Eagle Group LTD

eaglegrouppltd.com



The Eagle Group manufactures and installs mixing, conveying, and bulk solid storage equipment. The Eagle Group specializes in solving challenging resin material handling and storage projects along with custom fabricated systems needed for successful plastic manufacturing installation projects.

- › Silos
- › Resin Bins
- › Equipment Installation



Matsui America

matsuiamerica.com



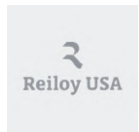
Matsui America supplies innovative rotary desiccant resin drying systems and conveying equipment designed to improve customers' manufacturing processes. Matsui manufactures equipment that requires low maintenance and boasts a long life and superior performance.

- › Resin Drying Systems
- › Press Side Auxiliaries



Reiloy USA

reiloyusa.com



Reiloy USA are experts in front end component technology, focusing on innovative and dependable plasticizing screws & barrels for extrusion, blow molding and injection molding processors.

- › Engineered Screws
- › Barrels
- › Front-End Components



ZAG Equipment Sales

zagequipment.com

ZAG Equipment Sales is a leading supplier of high-quality plastics manufacturing equipment, technology solutions and asset management services. ZAG's facility in Gibsonville, NC is home to our process training and demonstration lab, used equipment inventory, and consultation services.



- › Process Training
- › Mold Validation
- › Equipment Demonstration
- › Equipment Repair
- › Secondary Injection Units and Rotary Platens
- › Injection Molding Machines
- › Robotics & Automation
- › Auxilliary Equipment



About Fordham Plastics

Fordham Plastics Equipment Corporation, established in 1999, markets high quality equipment to the Plastics Industry. Fordham Plastics' mission is to provide solutions which help plastics processors manufacture quality products at lower overall costs. We know from you, our customers, to compete and succeed in the global plastics industry today, you require superior technology, excellent support and extensive product and process training.



(866) 467-0708
fordhamplastics.com
Catalogue 4123