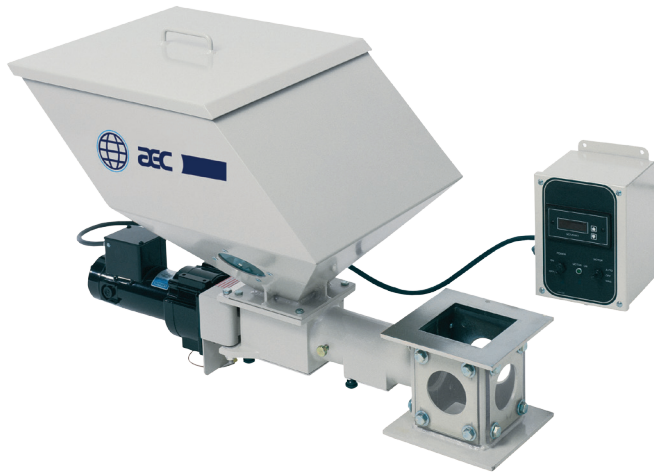


AF SERIES

Volumetric Additive Feeders

Technical Specifications



AF Series Volumetric Additive Feeders have set the industry standard for accuracy and dependability in precision metering of color concentrate, regrind, and other additives. Proven mechanical features include modular design for one or two materials, low-profile throat section, and an easy-to-clean, interchangeable stainless steel auger assembly.

With a constant flow of primary materials flowing into a machine feed throat, the AF Series feeder meters a free-flowing additive directly into the center of this flow in a consistent and uniform pattern, resulting in the ideal blend of materials. The AF Series Feeders can be used in virtually any injection or extrusion process. The AF-1 and AF-200 can also be used to starve feed an extruder. All of this makes the AF Series Feeder a superb value for your money.

Features

Standard Features

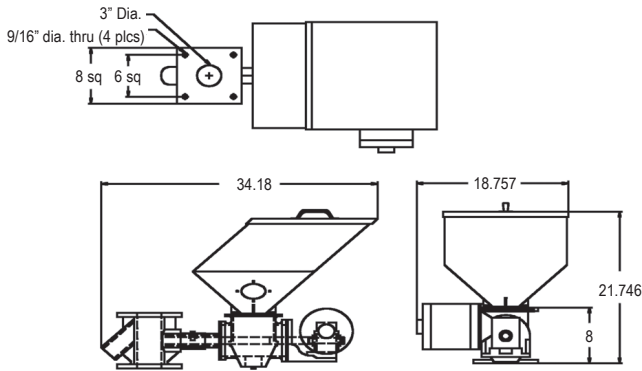
- Push-button digital control display
- 1 cu. ft. aluminum additive supply hopper with 2 sight glasses and manual fill cover (AF-1, AF-2, AF-200)
- Swing-out sample and clean-out door (AF-1, AF-2)
- 6" high modular steel base with 7" square flange and sight glasses (AF-1, AF-2)
- 1/10 HP DC variable speed drive motor (2 to 71 RPM) with quick change hinged mounting (AF-1, AF-2, AF-M)
- Stainless steel auger with UHMW polyethylene insert and bearing (AF-1, AF-2, AF-M)
- 115/1/60 supply voltage
- Steel auger with aluminum feed tube (AF-2)
- Premium mounting flange with drain post – 8"x 8" with 6" square bolt pattern (AF-200)
- Heavy duty gearbox (AF-200)

Optional Features

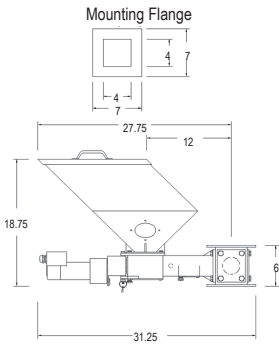
- Removable 0.3 ft³ additive supply hopper, including slide gate and sight glass with hand fill cover (AF-1, AF-2)
- 2.0 cu. ft. additive supply hopper (AF-1)
- Flange transition: 7" square to 4" square
- 8" high modular base - required for machine hoppers with less than a 60° cone
- Extruder tracking control; includes customer mountable 0 to 5 VDC optical speed sensor
- Injection Calibration timer with cycle counter
- 230/1/50-60 supply voltage
- Regrind Auger Insert

Product Diagrams

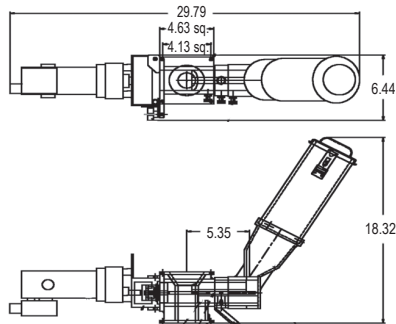
AF-200



AF-1 & AF-2



AF-M



Advanced Controller

AF-200 Optional High-Performance Drive Package

- High-performance variable speed drive package includes a heavy-duty ICS34 gearbox, 1/4 HP AC inverter-duty motor with hinged motor mount, premium variable frequency inverter drive for precise control and wide metering range, and speed pot control and digital setup capabilities.
- Max throughput is increased to 1450 lbs./hr for 1.625" auger, 2150 lbs./hr for 2" auger, and 6550 lbs./hr for 3" auger.



Specifications

Model	Auger Size Diameter (inches)	Approximate throughput rate ¹		Shipping weight, lbs (kg)
		Minimum lbs./hr. (gm/min)	Maximum lbs./hr. (gm/min)	
AF-M	0.25	0.26 (2)	1.32 (10)	50 (23)
	0.375	0.93 (7)	5.29 (40)	50 (23)
AF-1/AF-2	0.5	1 (7)	7 (53)	50 (23), 90 (41)
	0.75	1.5 (11)	25 (189)	50 (23), 90 (41)
	1.0	4 (30)	55 (415)	50 (23), 90 (41)
	1.25	7 (53)	110 (831)	50 (23), 90 (41)
	1.5	13 (98)	200 (512)	50 (23), 90 (41)
	1.75	18 (136)	250 (1899)	50 (23), 90 (41)
AF-200	1.625	60 (454)	400 (3024) 1450 (10,961)	75 (34)
	2.0	90 (680)	600 (4535) 2150 (16,253)	75 (34)
	3.0 ²	300 (2268) ²	1500 (11,340) 6550 (49,517) ²	75 (34) ²

1. All throughput rates are based on color concentrate pellets @ 45 lbs./cu. ft. - derate for lighter materials.

2. Requires 1/4 hp drive option

NOTE: Higher rate shown based on lab tests using optional high-performance variable frequency inverter drive package (AF-200 only).

Special feed hoppers required - consult factory.