

COMMON SPECIFICATIONS

Power Source	Air Pressure	Drive	Posture (Air Cylinder)	Recommended Max Load	Posture Torque @ 70 PSI	Control Types
200 VAC ± 10% 60 Hz	70 psi (.48 MPa)	AC Servo Motor	90°	11 lbs (5 kg)	10.9 ft-lbs (14.78 N-m)	STEC-480 STEC-380

* It is possible to increase the Maximum Load capacity depending on the speed acceleration & deceleration data.

GENERAL SPECIFICATIONS

Model	Stroke				Electric Consumption (kVA)	Max Power Consumption (kW)	Net Weight		Air Consumption
	(P) Vertical	(R) Vertical	Crosswise	Traverse			Main Body	Pendant and Stand	
LW-1400VI	57.1" (1450 mm)	N/A	30.3" (770 mm)	86.6" (2200 mm)	3.4	1.8	904 lbs (410 kg)	30 lbs (13.6 kg)	0.12 ft ³ (3.4 L/cycle)
LWS-1400VI	57.1" (1450 mm)	57.1" (1450 mm)	(P)26.6" (675 mm) (R)26.6" (675 mm)	86.6" (2200 mm)	4.6	2.4	1002 lbs (454 kg)	30 lbs (13.6 kg)	0.12 ft ³ (3.4 L/cycle)

STANDARD FEATURES

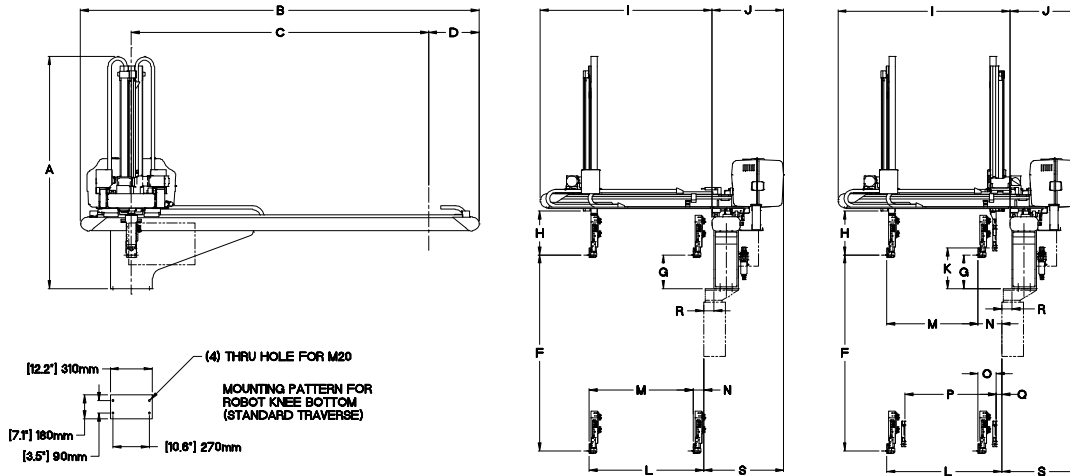
Vacuum Generator with Part Present Sensor
Part Grip Circuit
Sprue Grip Circuit
Selectable Fixed Side Extract
Defective Product Drop
Sample and Chuck Change Positions
Product Packaging (256 each axis)
CNC Step Programming
Compact Flash Memory
CPC® and AMP® Connections at the Head
Active Vibration Control
IMM Mounting Weldment
Multi-Level Password Protection
Position, Speed and Timer Adjust in Auto
Alarm History
Grease Pocket LM Bearings

OPTION LIST

Additional Vacuum Generator with Part Present Sensor
Additional Part Grip
Nipper on Chuck
Rotation 90°, 180° 2-Position, 180° 3-Position
Shuttle on Tool
Mold Spray
Air Blow
1-3 Color Alarm Light
Special Paint
Free Packaging
Central Lube
Quick Chuck Change

ISO 9001
Certified Quality
Management
System

OVERALL DIMENSIONS



		LW-1400VI	LWS-1400VI
A	Overall Height	67.72" (1720 mm)	67.72" (1720 mm)
B	Overall Width	116.22" (2952 mm)	116.22" (2952 mm)
C	Traverse Stroke	86.61" (2200 mm)	86.61" (2200 mm)
D	Overhang, Release Side	14.80" (376 mm)	14.80" (376 mm)
E	Cable Guide Overhang	0" (0 mm)	0" (0 mm)
F	(P) Vertical Stroke	57.09" (1450 mm)	57.09" (1450 mm)
G	(P) Vertical Standby	9.84" (250 mm)	9.84" (250 mm)
H	Bottom of Crosswise to Chuck Mount Position	12.80" (325 mm)	12.80" (325 mm)
I	Crosswise Arm	50.26" (1276.5 mm)	50.26" (1276.5 mm)
J	Thickness	20.71" (526 mm)	20.71" (526 mm)
K	(R) Vertical Standby	—	11.81" (300 mm)
L	(P) Crosswise Reach	33.46" (850 mm)	33.46" (850 mm)
M	(P) Crosswise Stroke Max.	30.31" (770 mm)	26.57" (675 mm)
N	(P) Crosswise Standby Min.	3.15" (80 mm)	6.89" (175 mm)
O	(P) (R) Proximity Min.	—	5.31" (135 mm)
P	(R) Crosswise Stroke Max	—	26.57" (675 mm)
Q	(R) Crosswise Standby Min.	—	1.57" (40 mm)
R	Base Offset	2.95" (75 mm)	2.95" (75 mm)
S	Mold Mounting Face - Box End	23.27" (591 mm)	23.27" (591 mm)



Corporate Headquarters
 N90 W14401 Commerce Drive
 Menomonee Falls, WI 53051
 Phone: 262.253.3550
 Fax: 262.253.3559

California Office
 18141 Beach Boulevard
 Unit 110
 Huntington Beach, CA 92648
 Phone: 714.375.2400
 Fax: 714.375.2446

Georgia Office
 1351 Oakbrook Drive
 Suite 100
 Norcross, GA 30093
 Phone: 770.582.9350
 Fax: 770.582.9351

Indiana Office
 5625 Vogel Road
 Unit B
 Evansville, IN 47715
 Phone: 812.475.9947
 Fax: 812.475.9949

Mexico Office
 Calle Torre Del Campo 110
 Col. Valle de Torremolinos
 Guadalupe N.L. Mexico 67117
 Phone: 011.52.818.341.8311
 Fax: 011.52.811.086.4136

Texas Office
 2614 Charleston Drive
 Pharr, TX 78577
 Phone: 956.702.2740
 Fax: 956.702.8807

Michigan Office
 17197 North Laurel Park Dr.
 Suite 125
 Livonia, MI 48152
 Phone: 734.462.9522
 Fax: 734.462.9527

Rhode Island Office
 860A Waterman Avenue
 E Providence, RI 02914
 Phone: 401.434.0617
 Fax: 401.434.0627

Memphis Tennessee Office
 7512 Corporate Centre
 Suite 201
 Germantown, TN 38138
 Phone: 901.737.6407
 Fax: 901.737.6408

Nashville Tennessee Office
 304 South Lowry Street
 Suite D
 Smyrna, TN 37167
 Phone: 615.223.8666
 Fax: 615.223.0640