

# SRC/SRH/SRI SERIES

## Vacuum Receiver



## Technical Specifications

SRC Series Vacuum Receivers from AEC feature a modular stainless steel design, offering significant operational advantages. The modular design allows these units to be economically reconfigured to accommodate current and future production requirements. Pyrex™ sight glass on SRI models allow for easy visual monitoring of material levels.

SRC vacuum receivers are used at each loading point in any central vacuum conveying system. They are placed on virtually any processing equipment ranging from surge bins, to blenders to production machines. And, because of their modular design, they can also be placed in any new or existing conveying system.

## Features

### Standard Features

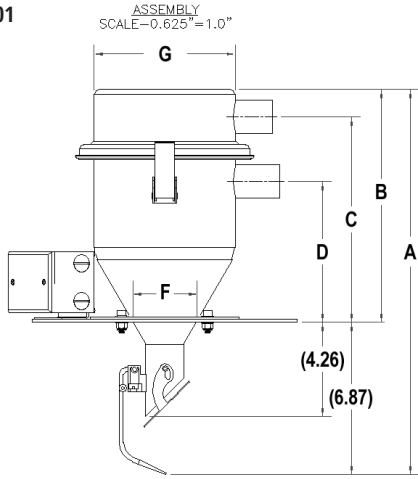
- Brushed stainless steel construction
- Material demand/level sensor
- Internal check valve on material inlet for 1.5", 2.0", 2.5" and 3.0" (not available on 0.03, 0.1, or 0.2 cu. ft. models)
- Removable aluminum inlets and outlets on most models:
  - SRH01, SRI01, SRI002 - stainless steel non-removable
  - SRC02 - removable aluminum (1.5-2.0" O.D.)
  - SRC04 - removable aluminum (1.5-2.5" O.D.)
  - SRC08 - removable aluminum (2-3" O.D.)
  - SRC16 - removable aluminum (2.0-3.5" O.D.)
  - SRC30/60 - removable aluminum (2.5 - 4" O.D.)
  - SRC30/60 - stainless steel welded, non-removable (4.5-5" O.D. sch. 10)
- SRC receivers include counter-weighted, angle discharge throat with throat gasket seal (SRC02-SRC16 - 4" throat, SRC30/60 - 6" throat)
- Stainless steel filter screen (10 mesh) (0.03-1.6 cu. ft. models), stainless steel perforated pellet deflector (3.0-6.0 cu. ft. models)
- Vacuum outlet on side cover (SRH01 and SRC02-SRC16 models)
- Vacuum outlet on top of cover - straight outlet (SR30-60 models). Note - optional 90° outlets available for SRC30/60
- Sight glass models feature Pyrex™ sight glass, 10-mesh stainless steel screen, square mounting flange, and adjustable demand sensor. SRI04 includes check valve for single-line Y applications.

### Optional Features

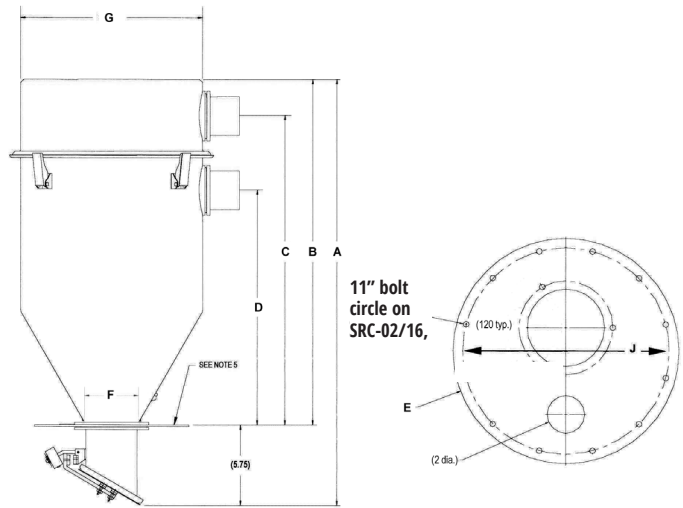
- Volume-fill sensor, 180°F maximum, 24 VDC or 115 VAC control voltage (not available on 0.03-0.1 cu. ft. models)
- Abrasive material wear package
- Stainless steel 20 mesh screen for micro-pellet applications
- Polyester cloth filter in lieu of standard screen/deflector
- Nylon filter in lieu of standard screen/deflector (150 mesh)
- OptiView riser assembly, flange mount, 150°F ambient max. temp. (not available on SRC30/60)
- Machine-mount adapter for OptiView (or aluminum riser), (not available on SRC30/60)
- Aluminum riser, flange-mount only (not available on SRH01 or SRI models)
- Silo-mount riser with gasketed, non-vented access door, (SRC30/60)
- Aluminum riser with vented access door, (SRC30/60 only)
- High-temperature (400°F) silicone discharge throat gasket (not available on 0.03-0.1 cu. ft. models)
- White neoprene discharge throat gasket, FDA approved, 180°F max. (not available on 0.03-0.1 cu. ft. models)

## Product Diagrams

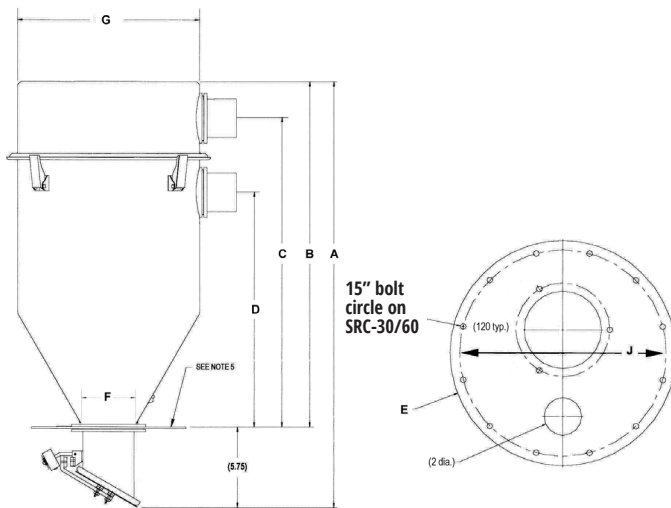
SRH01



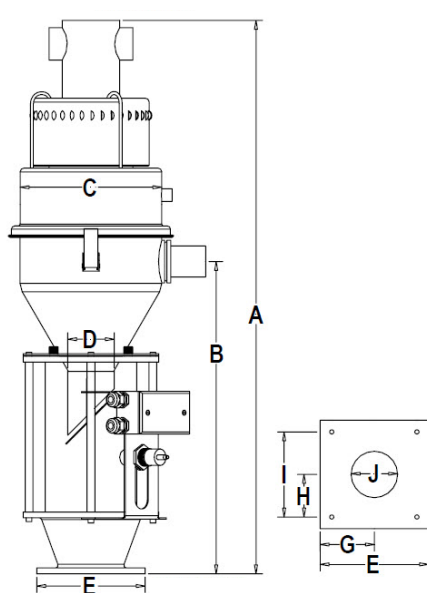
SRC-02/16



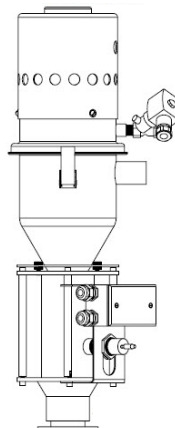
SRC-30/60



SRI-02/04



SRI01 Sight Glass  
Hopper Loader



## Dimensions

SRH AND SRC Dimensions, in. (cm)									
Model	A	B	C	D	E	F	G	H	J
SRH01	14.875 (38)	10.625 (27)	9.375 (24)	6.38 (16)	12 (31)	1.75 (4)	6.375 (16)	5.5 (14)	11 (28)
SRC02	16.75 (43)	11.5 (29)	9.50 (24)	5.5 (14)	12 (31)	4 (10)	9.125 (23)	N/A	11 (28)
SRC04	22.375 (57)	17.5 (45)	13.50 (34)	11.5 (29)	12 (31)	4 (10)	9.125 (23)	N/A	11 (28)
SRC08	26 (66)	20.125 (51)	17.625 (45)	11.625 (30)	12 (31)	4 (10)	14.125 (36)	N/A	11 (28)
SRC16	32.25 (82)	26.375 (67)	23.875 (61)	18.125 (46)	12 (31)	4 (10)	14.125 (36)	N/A	11 (28)
SRC30	46.56 (119)	39.21 (100)	N/A	25.75 (66)	16 (41)	6 (15)	20 (51)	N/A	15 (38)
SRC60	62.56 (159)	55.21 (140)	N/A	41.75 (106)	16 (41)	6 (15)	20 (51)	N/A	15 (38)

## Specifications

Model	Receiver Capacity cu. ft. (l)	Receiver Capacity lbs. (Kg)	Shipping Weight lbs. (Kg)	Standard inlet/outlet sizes In. (mm)	Sight Glass Capacity cu. ft. (l)	
SRH01	0.1 (2.8)	3 (1.5)	29 (13)	1.5 (38)	N/A	N/A
SRC02	0.2 (5.6)	6.0 (3.1)	31 (14)	1.5, 2 (38, 51)	N/A	N/A
SRC04	0.4 (11.3)	12.0 (6.3)	33 (15)	1.5, 2, 2.5 (38, 51, 64)	N/A	N/A
SRC08	0.8 (22)	25 (12.7)	40 (18)	2, 2.5, 3 (51, 64, 76)	N/A	N/A
SRC16	1.6 (45)	50 (25.4)	43 (20)	2, 2.5, 3, 3.5 (51, 64, 76, 89)	N/A	N/A
SRC30	3.0 (85)	100 (45)	75 (34)	2.5, 3, 3.5, 4, 4.5 (64, 76, 89, 101, 114)	N/A	N/A
SRC60	6.0 (170)	200 (90)	95 (43)	2.5, 3, 3.5, 4, 4.5, 5 sch. 10 (64, 76, 89, 101, 114, 143)	N/A	N/A
SRI002	0.028 (0.79)	1 (0.45)	15 (7)	1.5 (38)	0.01 (0.28)	0.34 (0.15)
SRI01	0.1 (2.8)	3.0 (1.5)	27 (13)	1.5 (38)	0.02 (0.57)	0.68 (0.31)
SRI02	0.2 (5.6)	6.0 (3.1)	47 (22)	1.5, 2 (38, 51)	0.09 (2.55)	3.25 (1.48)
SRI04	0.4 (11.3)	12.0 (6.3)	49 (23)	1.5, 2, 2.5 (38, 51, 64)	0.09 (2.55)	3.25 (1.48)

\* Based on 35#/cu ft bulk density