

# SRL, SLC, SRIL SERIES

## Hopper Loaders



## Technical Specifications

SRL, SLC and SRIL Hopper Loaders are part of the AEC family of self-contained loaders. Because of their integral motor and control, they are ideal for conveying material over short distances. Based on their Stainless Steel construction and filter cleaning system, these hopper loaders are perfect for conveying pellets as well as regrind. SRL and SLC series hopper loaders are perfect for conveying materials to virtually any kind of bin or hopper. By adding a Pyrex sight glass, the SRIL Hopper loaders allow these to be mounted directly to process machines and provides you visual indication of the material entering your process.

## Features

### Standard Features

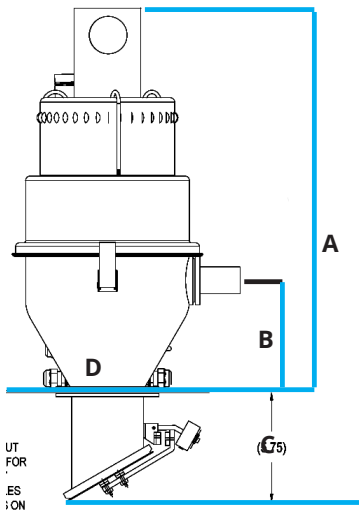
- Brushed Stainless Steel construction
- All Stainless steel material contact surfaces
- High performance centrifugal motor
- Glazed polyester reinforced push down flat filter
- High Flow Filter cleaning system
- Series One controller with 9 ft (2.7m) power cord
- Hopper mounted junction box with 12 ft (3.6m) control cable
- 1-1/2" OD Inlet
- Aluminum pickup wand with 10 ft (3m) of vinyl flex hose
- Material demand sensor 110/1/60 operating voltage

### Optional Features

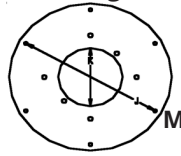
- Series One Plus controller
- RPV Proportioning valve with addition hose and pick up wand
- Volume-fill sensor
- Brushless Motor
- Nylon filter in lieu of standard Polyester filter
- Hinged lid option
- Audible Alarm
- OptiView Riser with Pyrex Sight Glass
- Aluminum Riser
- Aluminum machine adapter
- High wear wrap for abrasive materials
- 220/1/50-60 operation

## Product Diagrams

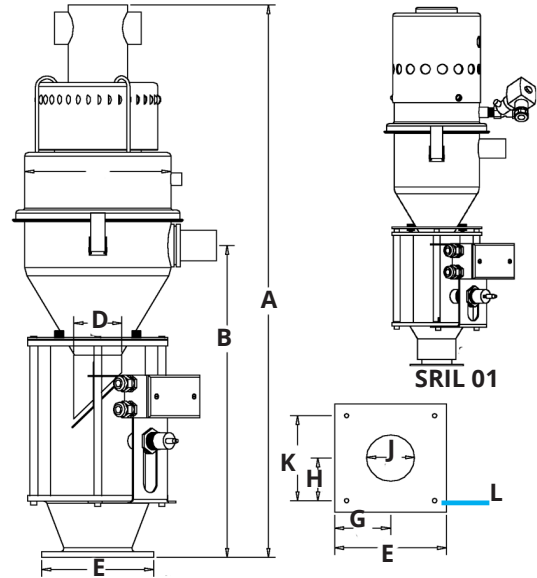
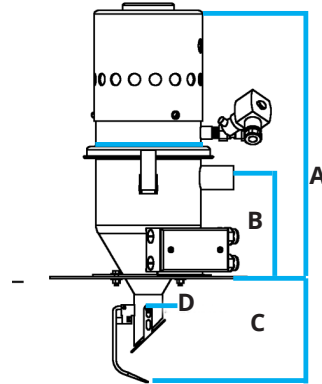
SLC 02, 04, 06, 08, 16



SRL Flange



.312 dia hole (N places equally spaced on an 11" dia. B.C.)



## Specifications

Model	A	B	C	D	E	G	H	K	L	M	N
SRL01	17.16	6.375	6.75	1.75							6
SRC02	18.89	5.50	5.75	4.00	N/A					12	12
SRC04	24.11	11.50									
SRC08	30.25	10.50									
SRL01	27.63	17.00	N/A	1.75	4.00	2.00	1.25	2.50	.281 diameter	N/A	N/A
SRL02	35.25	19.50		3.00	7.00	3.50	2.75	5.50			
SRL04	41.25	25.75									

Model	Hopper Capacity cu.ft. (l)	Hopper Capacity lbs (kg)	FLA	Shipping Weight lbs (kg)	Throughput non-proportioning lbs/hr (kg/hr)	Throughput proportioning lbs/hr (kg/hr)	Sight Glass Capacity cu.ft. (l)	Sight Glass Capacity lbs. (kg)
SRL01	01.(28)	3.5 (1.5)	11	47 (22)	150 (68)	N/A	N/A	N/A
SRIL01				50 (23)				
SLC02	0.2 (5.6)	7.0 (3.1)	10	65 (30)	500 (227)	400 (181)	N/A	N/A
SRIL02				70 (32)				
SLC04	0.4 (11.3)	14.0 (6.3)	10	67 (31)	1000 (454)	800 (363)	N/A	N/A
SRIL04				72 (33)				
SLC08	0.8 (22)	28 (12.7)		75 (34)	1500 (680)	1200 (544)	N/A	N/A
SLC16	1.6 (45)	56 (25.4)		80 (36)	1700 (771)	1350 (612)		