

TW-HMVI

High Speed Servo Robot Series

Injection Molding
Machine Range

250~1000ton

Extract Dry Cycle

0.49sec

Full Dry Cycle

3.70sec

*Dry cycle figures based on standards as evaluated at Star Seiki.
Actual operation values may vary due to environmental factors.

Standard Features

Max Load: 22lbs (10kg)
Grease Cover
Mold Close During Ascent
Arm Descent During Mold Open
Central Lubrication with Manifold
Absolute Encoders



Options

Auto Lubrication
2nd Arm for Stack Mold
Servo Posture Wrist
EOAT Quick Change System

STEC-480

High Performance Pendant with Extensive
Functions & Easy Operability

Easy Operation

- Easy Setting
- Acceleration/Deceleration Setting for Each Point
- Direct Distance Display Function After Pass Operation
- Easy NC Step
- Improved Setup Change Function

Extensive Optional Functions

- Vacuum Pressure Display
- PC Connection
- Web Function
- Multiple Language Capability

Safety

- No Entry Area Setting Function
- One Cycle Check Operation

Energy Saving Function

- Optimized Unloader Cycle (S.I.3)
- Servo Sleep Function (S.I.4)

Eco-Friendliness

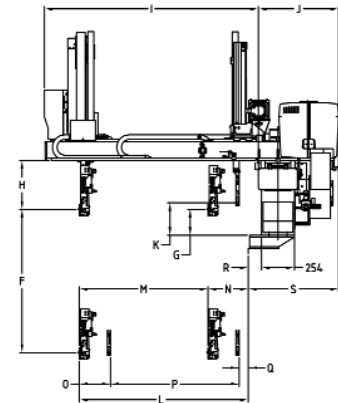
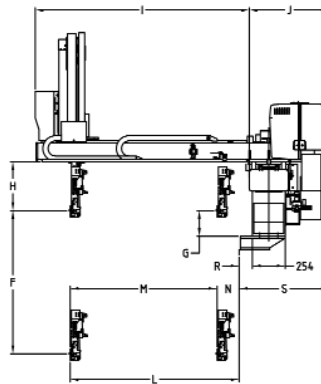
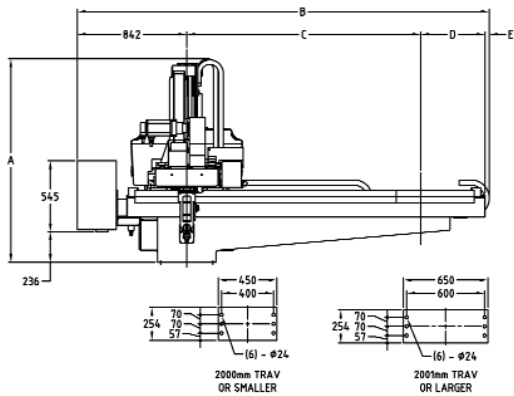
- Environmentally Friendly Design



STAR AUTOMATION, INC.

Main Specifications

Power Source	Air Pressure	Drive System	Posture	Posture Torque	Control Box	Air Consumption
AC 200~220 V±10% 50/60Hz	0.49MPa	AC Servo Motor	Air Cylinder 90° Fixed	55 N·m (Air Pressure: 0.49MPa)	STEC-480	0.40 ft ³ (11.3 L/cycle)
Model	Traverse	Crosswise	Vertical	Runner Side Vertical	Injection Press Range (tons)	
TW-1100HMVI-480	70.87" / 1800mm	44.49" / 1130mm	43.31" / 1100mm	45.28" / 1150mm	250~450	
TW-1300HMVI-480	78.74" / 2000mm	44.49" / 1130mm	51.18" / 1300mm	53.15" / 1350mm	350~600	
TW-1500HMVI-480	86.61" / 2200mm	44.49" / 1130mm	59.06" / 1500mm	61.02" / 1550mm	450~750	
TW-1700HMVI-480	94.49" / 2400mm	44.49" / 1130mm	66.93" / 1700mm	68.90" / 1750mm	550~1000	



Outer Dimensions		TW(S)-1100HMVI	TW(S)-1300HMVI	TW(S)-1500HMVI	TW(S)-1700HMVI
A	Overall Height	61.57" / 1564mm	65.51" / 1664mm	69.45" / 1764mm	73.39" / 1864mm
B	Overall Width	124.76" / 3169mm	132.64" / 3369mm	140.51" / 3569mm	148.38" / 3769mm
C	Traverse Stroke	70.87" / 1800mm	78.74" / 2000mm	86.61" / 2200mm	94.48" / 2400mm
D	Overhang, Release Side	19.50" / 495mm			
E	Cable Guide Overhang	1.25" / 32mm			
F	(P) Vertical Stroke	43.31" / 1100mm	51.18" / 1300mm	59.06" / 1500mm	66.93" / 1700mm
G	(P) Vertical Standby	7.87" / 200mm			
H	Bottom of Crosswise to Chuck Mount Position	14.69" / 373mm			
I	Crosswise Arm	64.84" / 1647mm			
J	Thickness	24.29" / 617mm			
K	(R) Vertical Standby	(9.84" / 250mm)			
L	(P) Crosswise Reach	51.18" / 1300mm			
M	(P) Crosswise Stroke Max.	44.49" / 1130 mm (38.98" / 990mm)			
N	(P) Crosswise Standby Min.	6.69" / 170mm (12.20" / 310mm)			
O	(P) (R) Proximity Min.	(9.45" / 240mm)			
P	(R) Crosswise Stroke Max.	(38.98" / 990mm)			
Q	(R) Crosswise Standby Min.	(2.76" / 70mm)			
R	Base Offset	(3.98" / 101mm)			
S	Mold Mounting Face - Box End	(27.36" / 695mm)			

* Figures in () show S-Arm Stroke



Corporate Headquarters
N90 W14401 Commerce Drive
Menomonee Falls, WI 53051
Phone: 262.253.3550
Fax: 262.253.3559

California Office
18141 Beach Boulevard
Unit 110
Huntington Beach, CA 92648
Phone: 714.375.2400
Fax: 714.375.2446

Georgia Office
5555 Oakbrook Parkway
Suite 320
Norcross, GA 30093
Phone: 770.582.9350
Fax: 770.582.9351

Indiana Office
5625 Vogel Road
Unit B
Evansville, IN 47715
Phone: 812.475.9947
Fax: 812.475.9949

Mexico Office
Calle Torre Del Campo 110
Col. Valle de Torremolinos
Guadalupe N.L. Mexico 67117
Phone: 011.52.818.341.8311
Fax: 011.52.811.086.4136

Texas Office
2614 Charleston Drive
Pharr, TX 78577
Phone: 956.702.2740
Fax: 956.702.8807

Michigan Office
17197 North Laurel Park Dr.
Suite 125
Livonia, MI 48152
Phone: 734.462.9522

Rhode Island Office
860A Waterman Avenue
E Providence, RI 02914
Phone: 401.434.0617
Fax: 401.434.0627

Memphis Tennessee Office
7512 Corporate Centre
Suite 201
Germantown, TN 38138
Phone: 901.737.6407

Nashville Tennessee Office
304 South Lowry Street
Suite D
Smyrna, TN 37167
Phone: 615.223.8666