



## COMMON SPECIFICATIONS

Power Source	Air Pressure	Drive	Posture (Air Cylinder)	Recommended Max Load	Posture Torque @ 70 PSI	Control Types
200 VAC ± 10% 60 Hz	70 psi (.48 MPa)	AC Servo Motor	90°	33 lbs (15 kg)	32.5 ft-lbs (44 N·m)	STEC-480 STEC-380

\* It is possible to increase the Maximum Load capacity depending on the speed acceleration & deceleration data.

## GENERAL SPECIFICATIONS

Model	Stroke				Electric Consumption (kVA)	Max Power Consumption (kW)	Net Weight		Air Consumption
	(P) Vertical	(R) Vertical	Crosswise	Traverse			Main Body	Pendant and Stand	
TW-1200VI	51.2" (1300 mm)	N/A	44.5" (1130 mm)	78.7" (2000 mm)	5.3	2.75	1396 lbs (633 kg)	30 lbs (13.6 kg)	0.56 ft³ (15.9 L/cycle)
TWS-1200VI	51.2" (1300 mm)	53.2" (1350 mm)	(P)41.3" (1050 mm) (R)41.3" (1050 mm)	78.7" (2000 mm)	7.6	3.9	1505 lbs (683 kg)	30 lbs (13.6 kg)	0.56 ft³ (15.9 L/cycle)

## STANDARD FEATURES

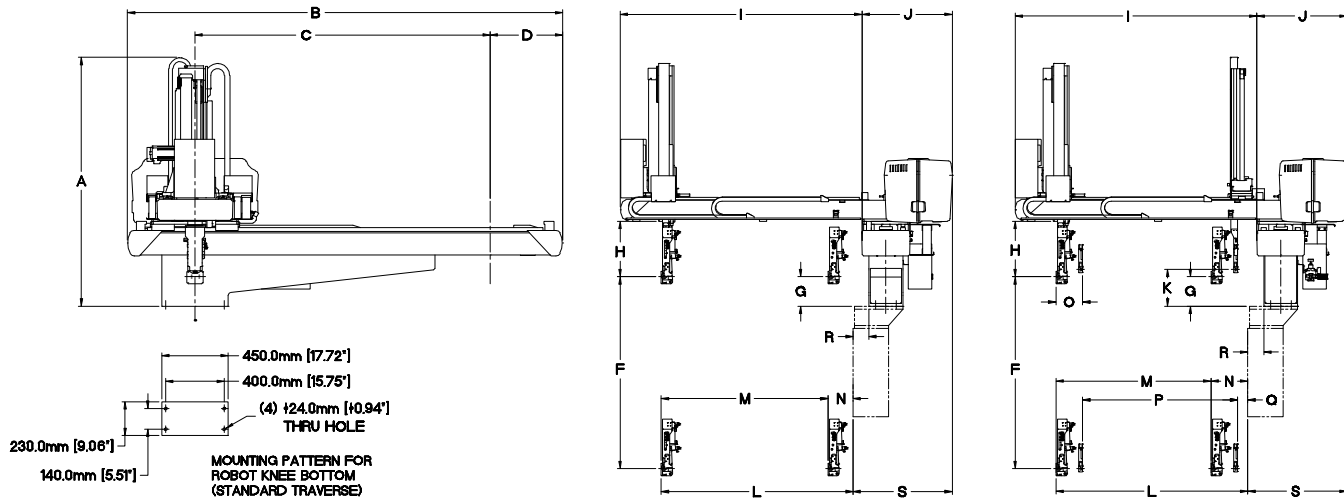
Vacuum Generator with Part Present Sensor
Part Grip Circuit
Sprue Grip Circuit
Selectable Fixed Side Extract
Defective Product Drop
Sample and Chuck Change Positions
Product Packaging (256 each axis)
CNC Step Programming
Compact Flash Memory
CPC® and AMP® Connections at the Head
Active Vibration Control
IMM Mounting Weldment
Multi-Level Password Protection
Position, Speed and Timer Adjust in Auto
Alarm History
Grease Pocket LM Bearings

## OPTION LIST

Additional Vacuum Generator with Part Present Sensor
Additional Part Grip
Nipper on Chuck
Rotation 90°, 180° 2-Position, 180° 3-Position
Shuttle on Tool
Mold Spray
Air Blow
1-3 Color Alarm Light
Special Paint
Free Packaging
Central Lube
Quick Chuck Change

ISO 9001  
Certified Quality  
Management  
System

## OVERALL DIMENSIONS



		TW-1200VI	TWS-1200VI
A	Overall Height	64.76" (1645 mm)	66.38" (1686 mm)
B	Overall Width	116.14" (2950 mm)	116.14" (2950 mm)
C	Traverse Stroke	78.74" (2000 mm)	78.74" (2000 mm)
D	Overhang, Release Side	19.37" (492 mm)	19.37" (492 mm)
E	Cable Guide Overhang	0.0" (0 mm)	0.0" (0 mm)
F	(P) Vertical Stroke	51.18" (1300 mm)	51.18" (1300 mm)
G	(P) Vertical Standby	7.87" (200 mm)	7.87" (200 mm)
H	Bottom of Crosswise to Chuck Mount Position	14.76" (375 mm)	14.76" (375 mm)
I	Crosswise Arm	64.96" (1650 mm)	64.96" (1650 mm)
J	Thickness	23.62" (600 mm)	23.62" (600 mm)
K	(R) Vertical Standby	—	9.84" (250 mm)
L	(P) Crosswise Reach	51.18" (1300 mm)	51.18" (1300 mm)
M	(P) Crosswise Stroke Max.	44.49" (1130 mm)	41.34" (1050 mm)
N	(P) Crosswise Standby Min.	6.69" (170 mm)	9.84" (250 mm)
O	(P) © Proximity Min.	—	7.09" (180 mm)
P	(R) Crosswise Stroke Max	—	41.34" (1050 mm)
Q	(R) Crosswise Standby Min.	—	2.76" (70 mm)
R	Base Offset	4.25" (108 mm)	4.25" (108 mm)
S	Mold Mounting Face - Box End	26.50" (673 mm)	26.50" (673 mm)



## STAR AUTOMATION, INC.

### Corporate Headquarters

N90 W14401 Commerce Drive  
Menomonee Falls, WI 53051  
Phone: 262.253.3550  
Fax: 262.253.3559

### California Office

18141 Beach Boulevard  
Unit 110  
Huntington Beach, CA 92648  
Phone: 714.375.2400  
Fax: 714.375.2446

### Georgia Office

1351 Oakbrook Drive  
Suite 100  
Norcross, GA 30093  
Phone: 770.582.9350  
Fax: 770.582.9351

### Indiana Office

5625 Vogel Road  
Unit B  
Evansville, IN 47715  
Phone: 812.475.9947  
Fax: 812.475.9949

### Mexico Office

Calle Torre Del Campo 110  
Col. Valle de Torremolinos  
Guadalupe N.L. Mexico 67117  
Phone: 011.52.818.341.8311  
Fax: 011.52.811.086.4136

### Texas Office

2614 Charleston Drive  
Pharr, TX 78577  
Phone: 956.702.2740  
Fax: 956.702.8807

### Michigan Office

17197 North Laurel Park Dr.  
Suite 125  
Livonia, MI 48152  
Phone: 734.462.9522  
Fax: 734.462.9527

### Rhode Island Office

860A Waterman Avenue  
E Providence, RI 02914  
Phone: 401.434.0617  
Fax: 401.434.0627

### Memphis Tennessee Office

7512 Corporate Centre  
Suite 201  
Germantown, TN 38138  
Phone: 901.737.6407  
Fax: 901.737.6408

### Nashville Tennessee Office

304 South Lowry Street  
Suite D  
Smyrna, TN 37167  
Phone: 615.223.8666  
Fax: 615.223.0640