

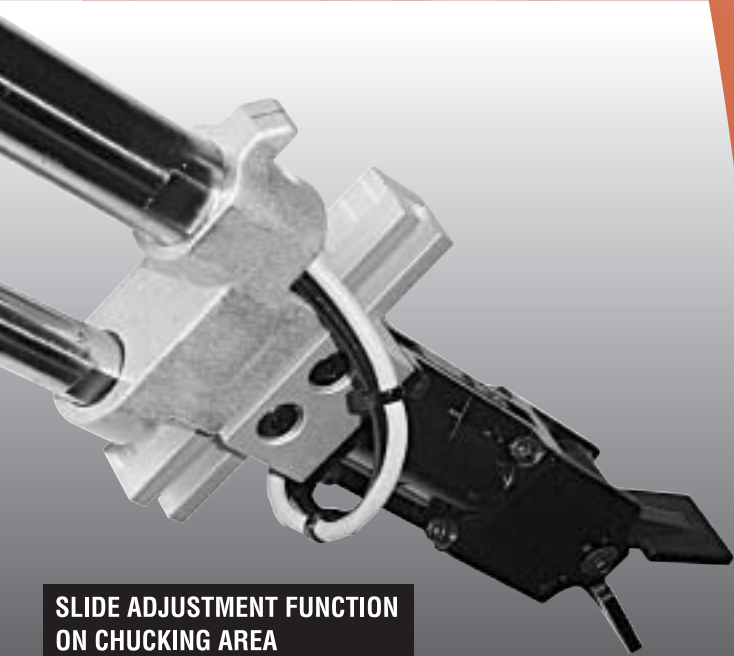
STAR

SWING TYPE SPRUE PICKER

XQ·V series



CROSSWISE UNIT W/SCALE



SLIDE ADJUSTMENT FUNCTION ON CHUCKING AREA

Injection Press Range

XQ-450V
30-80ton

XQ-600V
80-180ton

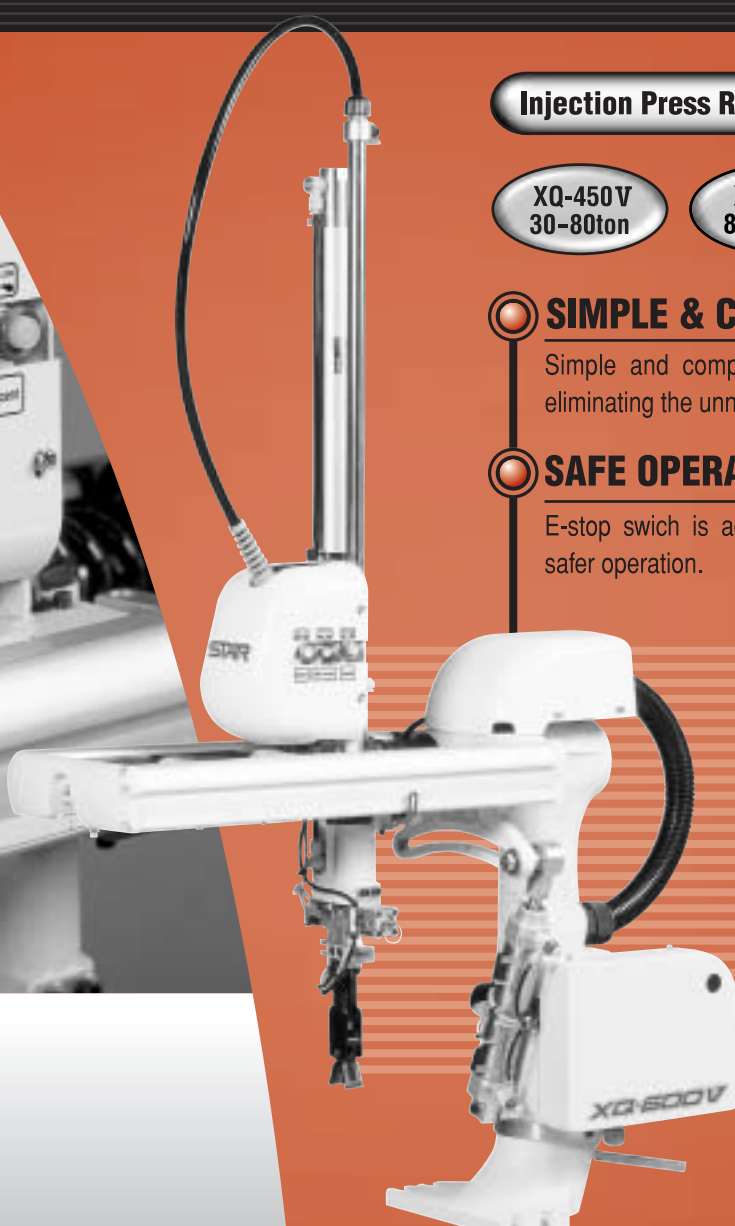
XQ-800V
160-350ton

● SIMPLE & COMPACT DESIGN

Simple and compact sprue picker is realized by eliminating the unnecessary wirings/pipings.

● SAFE OPERATION

E-stop switch is adopted on operation pendant for safer operation.



STEC-S1

● BILINGUAL

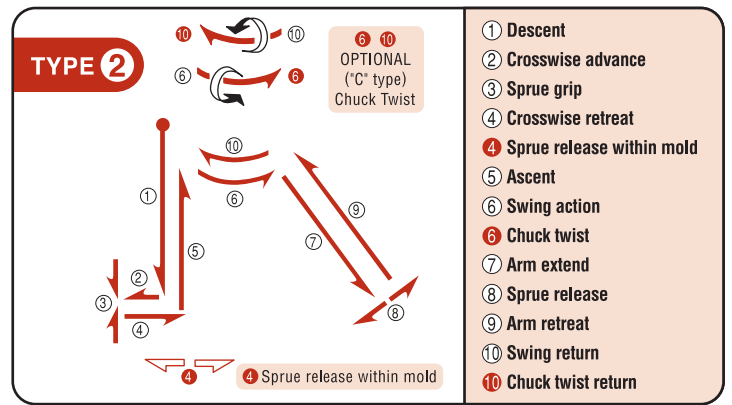
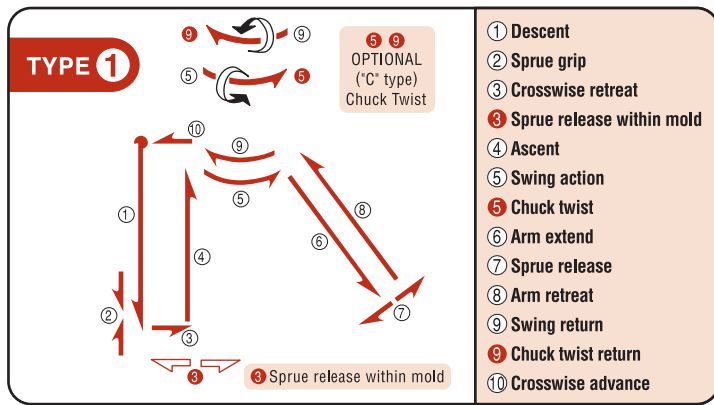
English/Japanese displays can be selected on operation pendant.

● MOLD CHANGE MEMORY

Memory for up to 15 different molds is possible.

● CHANGE OF RELEASE SIDE IS EASY

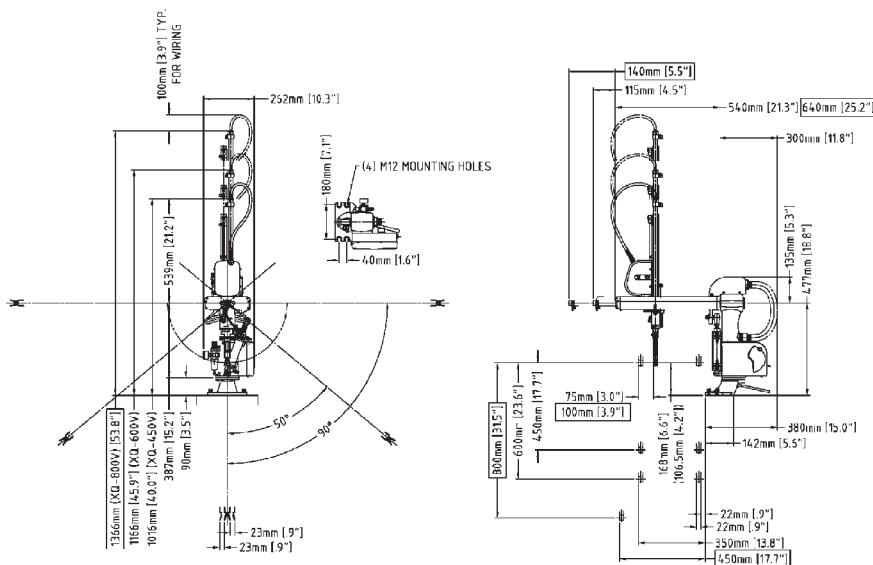
MOTION PATTERN



GENERAL SPECIFICATIONS

MODEL		XQ-450V	XQ-600V	XQ-800V
Power Source		200~575 VAC 60Hz		
Max Power Consumption		0.3A 200V MAX		
Air Pressure		0.49MPa		
Air Consumption		7.4N ℓ /cycle	9.0N ℓ /cycle	10.8N ℓ /cycle
Stroke	Vertical (Air)	450mm	600mm	800mm
	Crosswise (Air)	75mm		100mm
	Swing (Air)	50°-90°		
Max Reach		Max.350mm		Max.450mm
Vertical Standby Position		168mm		
Max Loading Capacity		2 kg		
Control Box		STEC-S1		

OUTER DIMENSIONS



□ DIMENSIONS FOR XQ-800V
 [] "C" TYPE MODELS WITH WRIST

OPTIONAL FUNCTION

- Vacuum confirmation unit
- Air nipper in chuck
- Defective product reject circuit
- Chuck twist (C type)
- Special paint color



Corporate Headquarters • N90 W14401 Commerce Drive, Menomonee Falls, WI 53051 • Telephone: 262-253-3550 • Fax: 262-253-3559 • Email: sai@starautomation.com
 Los Angeles Office • 17155 Von Karman Ave, Suite 106, Irvine, CA 92614 • Telephone: 949-724-8518 • Fax: 949-724-8519
 Atlanta Office • 1701 Oakbrook Drive, Suite C, Norcross, GA 30093 • Telephone: 770-582-9350 • Fax: 770-582-9351
 Evansville Office • 5625 Vogel Road, Unit B, Evansville, IN 47715 • Telephone: 812-475-9947 • Fax: 812-475-9949
 Detroit Office • 17197 North Laurel Park Dr., Suite 125, Livonia, MI 48152, Telephone: 734-462-9522, Fax: 734-462-9527
 Providence Office • 860A Waterman Avenue, East Providence, RI 02914 • Telephone: 401-434-0617 • Fax: 401-434-0627
 Memphis Office • 7512 Corporate Centre, Suite 201, Germantown, TN 38138 • Telephone: 901-737-6407 • Fax: 901-737-6408
 McAllen Office • 2614 Charleston Drive, Pharr, TX 78577 • Telephone: 956.702.2740 • Fax: 956.702.8807
 Guadalupe Office • Calle Torre Del Campo 110, Col. Valle de Torremolinos, Guadalupe N.L. MX 67117 • Tel: 011-52-818-341-8311 • Fax: 011-52-811-086-4136

●All stated here is subject to change without advance notice.

<http://www.starautomation.com/>